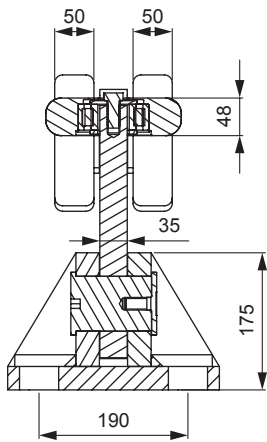
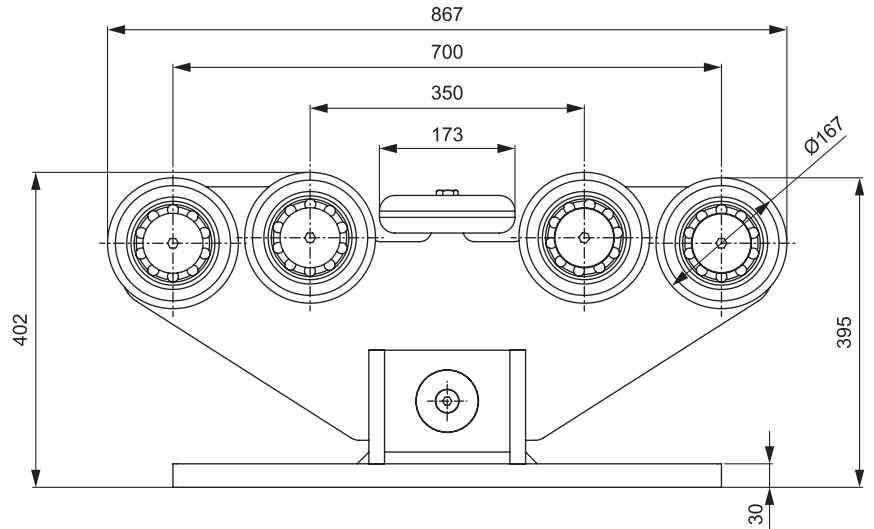
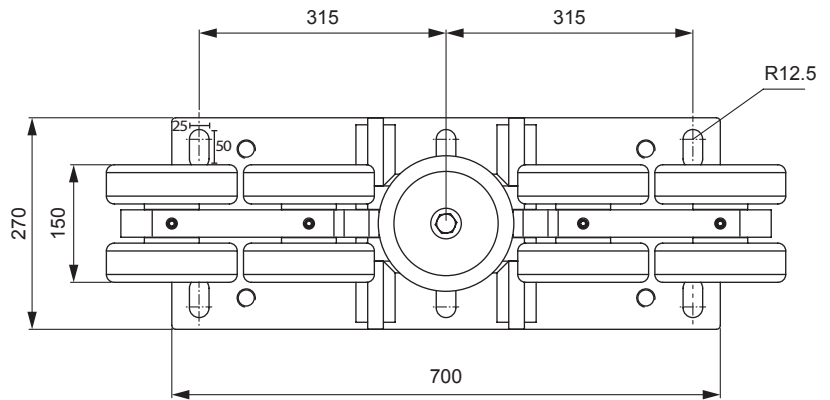


CGS-450.9-20K

Extra Large, Monobloc Body



**ALL MEASUREMENTS
ARE IN MILLIMETERS**



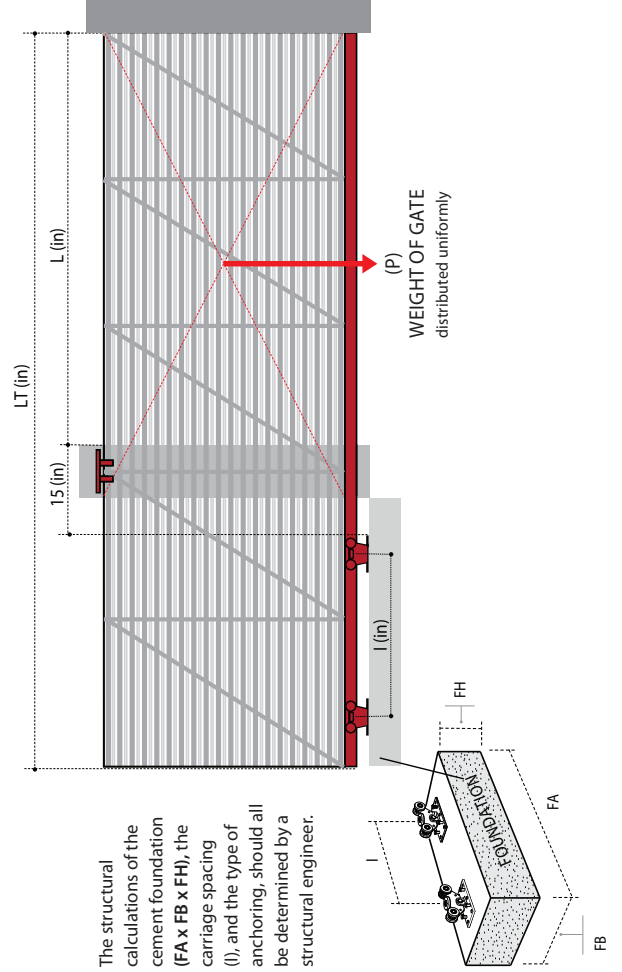
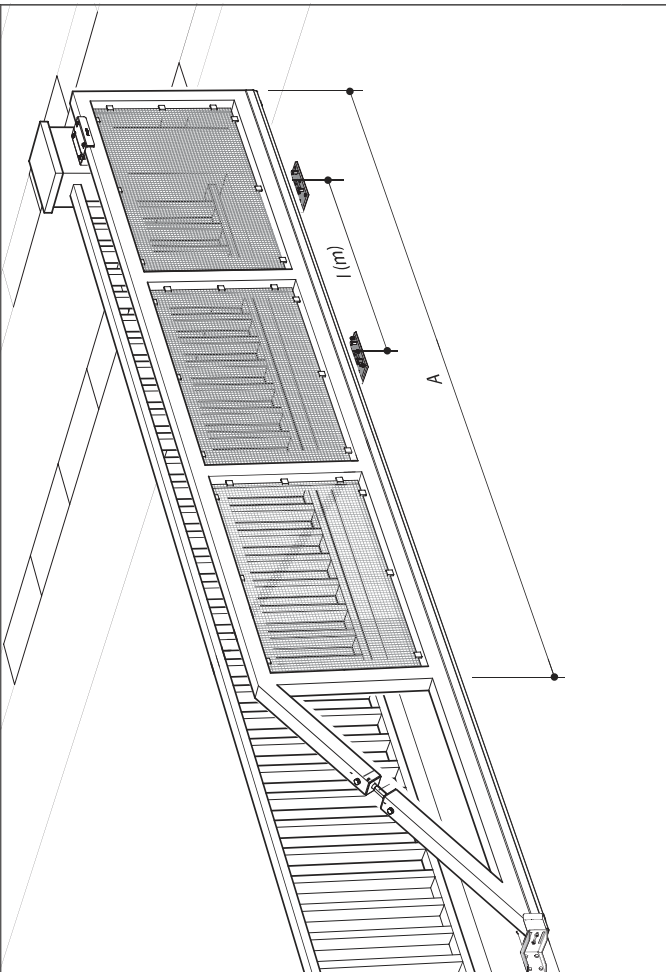
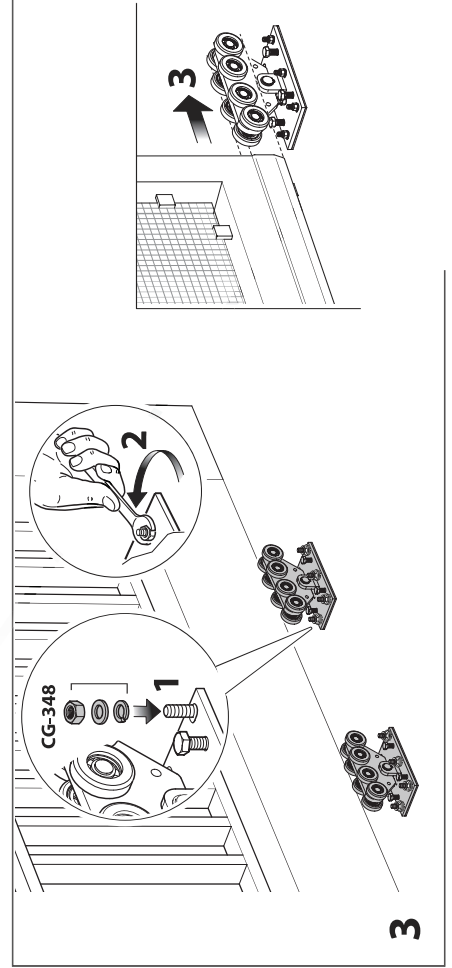
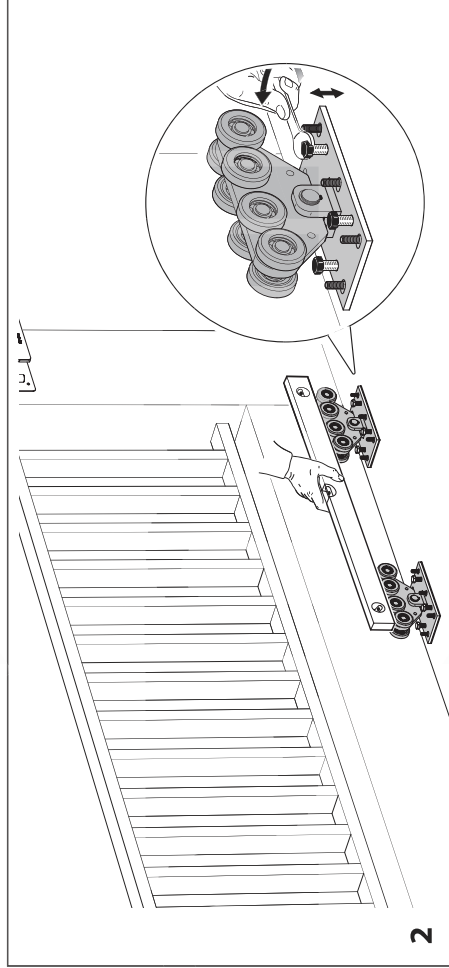
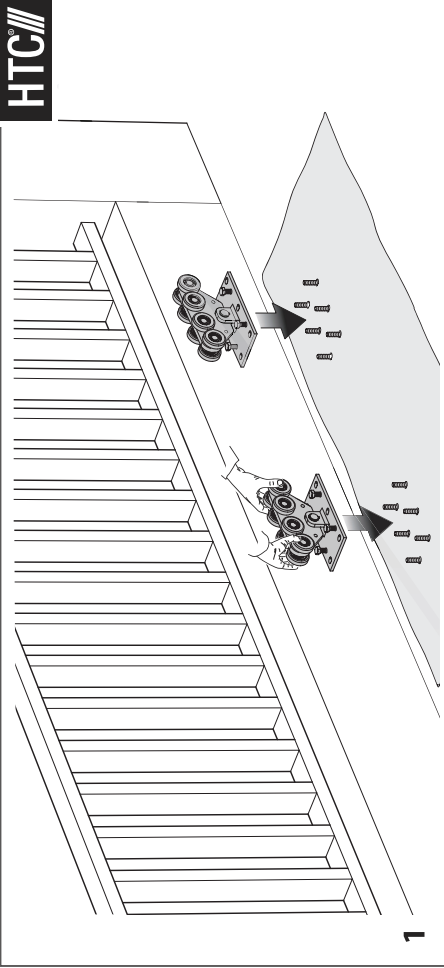
CGS-450.9-20K - 9 wheel carriage, monobloc body

HEIGHT	BASE PLATE LENGTH	BASE PLATE WIDTH	AIR GAP (Grade to Bottom of Track)	FULL HEIGHT (Grade to Top of Track)	BOLT HOLE SIZE	BOLT HOLE SPACING (L) (Center-to-Center)	BOLT HOLE SPACING (W) (Center-to-Center)	CARRIAGE PLATE THICKNESS
mm 402	mm 700	mm 270	mm 175	mm 415	mm 50mm x 25mm	mm 630	mm 190	mm 30

Illustrations not to scale and are for reference only. Imperial units shown are for reference only, use millimeters for most accurate sizes.

All pictures, technical drawings and related specifications belong to Fratelli Comunello Spa and they are defended by rules of copyright. All uses not expressly authorized will be legally prosecuted. Product specifications are subject to change without notice.

HTC



The structural calculations of the cement foundation (FA x FB x FH), the carriage spacing (l), and the type of anchoring, should all be determined by a structural engineer.